

Recessed Mounting Bracket for Panel Light



• Application

> Used for recessed installation of panel light.

Material: 6063-T5 Aluminum alloy

Dimension: 32*41*1.4 mm (W*H*Thickness)

Color: Matte White

Package: Inner box+Installation guide+ label+Outer carton

RoHS Standard

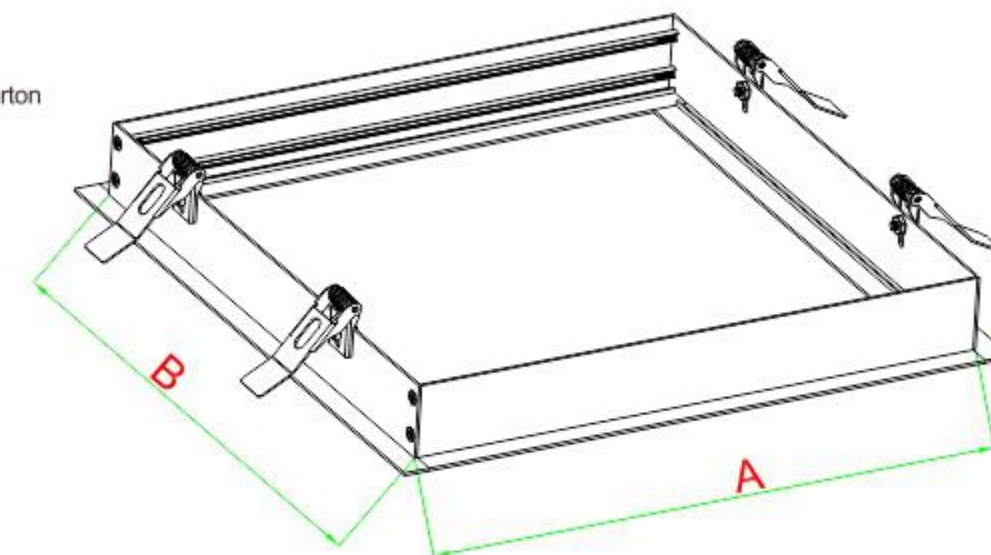
Forming Process: Assembling by screws.
(Easy packing, shipping, storing and saving space.)

Installation way: Recessed

Load bearing: 10Kg

Deformation degree: within 1mm

Usage: Used for recessed installation of panel light



• Models

Model NO.	LEZ-T13030A0-D1	LEZ-T16060A0-D1	LEZ-T13012A0-D1	LEZ-T16060A0-D1	LEZ-T16012A0-D1	LEZ-T13060A0-D1
Product Size (L*W*H)-mm	339*339*41	639*639*41	339*1239*41	664*664*41	639*1239*41	339*639*41
Cut Size (A*B)-mm	325*325	625*625	325*1225	650*650	625*1225	325*625
Used for Panel Light (European standard)	295*295	595*595	295*1195	620*620	595*1195	295*595
Package size / Quantity	395*405*295/40PCS	695*260*240/20PCS	1290*260*185/15PCS	695*260*240/20PCS	1290*260*185/15PCS	695*260*240/20PCS
N.W / G.W	16kg/17.5kg	16kg/17.5kg	13.5kg/15kg	16kg/17.5kg	16.5kg/18kg	11.2kg/12.7kg
Component	AL frame (4pcs) Spring clip(4pcs) Screw with nut(4pcs) Screw (4pcs)	AL frame (4pcs) Spring clip(4pcs) Screw with nut(4pcs) Screw (4pcs)	AL frame (4pcs) Spring clip(6pcs) Screw with nut(6pcs) Screw (4pcs)	AL frame (4pcs) Spring clip(4pcs) Screw with nut(4pcs) Screw (4pcs)	AL frame (4pcs) Spring clip(6pcs) Screw with nut(6pcs) Screw (4pcs)	AL frame (4pcs) Spring clip(4pcs) Screw with nut(4pcs) Screw (4pcs)

Model NO.	LEZ-T13030B0-D1	LEZ-T16060B0-D1	LEZ-T13012B0-D1	LEZ-T16012B0-D1	LEZ-T13060B0-D1	—————
Product Size (L*W*H)-mm	344.8*344.8*41	646.8*646.8*41	344.8*1255.8*41	646.8*1255.8*41	344.8*646.8*41	—————
Cut Size (A*B)-mm	330*330	632*632	330*1242	632*1242	330*632	—————
Used for Panel Light (American Standard)	301*301	603*603	301*1212	603*1212	301*603	—————
Package size / Quantity	395*405*295/40PCS	695*260*240/20PCS	1290*260*185/15PCS	1290*260*185/15PCS	695*260*240/20PCS	—————
N.W / G.W	16kg/17.5kg	16kg/17.5kg	13.5kg/15kg	16.5kg/18kg	11.2kg/12.7kg	—————
Component	AL frame (4pcs) Spring clip(4pcs) Screw with nut(4pcs) Screw (4pcs)	AL frame (4pcs) Spring clip(4pcs) Screw with nut(4pcs) Screw (4pcs)	AL frame (4pcs) Spring clip(6pcs) Screw with nut(6pcs) Screw (4pcs)	AL frame (4pcs) Spring clip(6pcs) Screw with nut(6pcs) Screw (4pcs)	AL frame (4pcs) Spring clip(4pcs) Screw with nut(4pcs) Screw (4pcs)	—————